
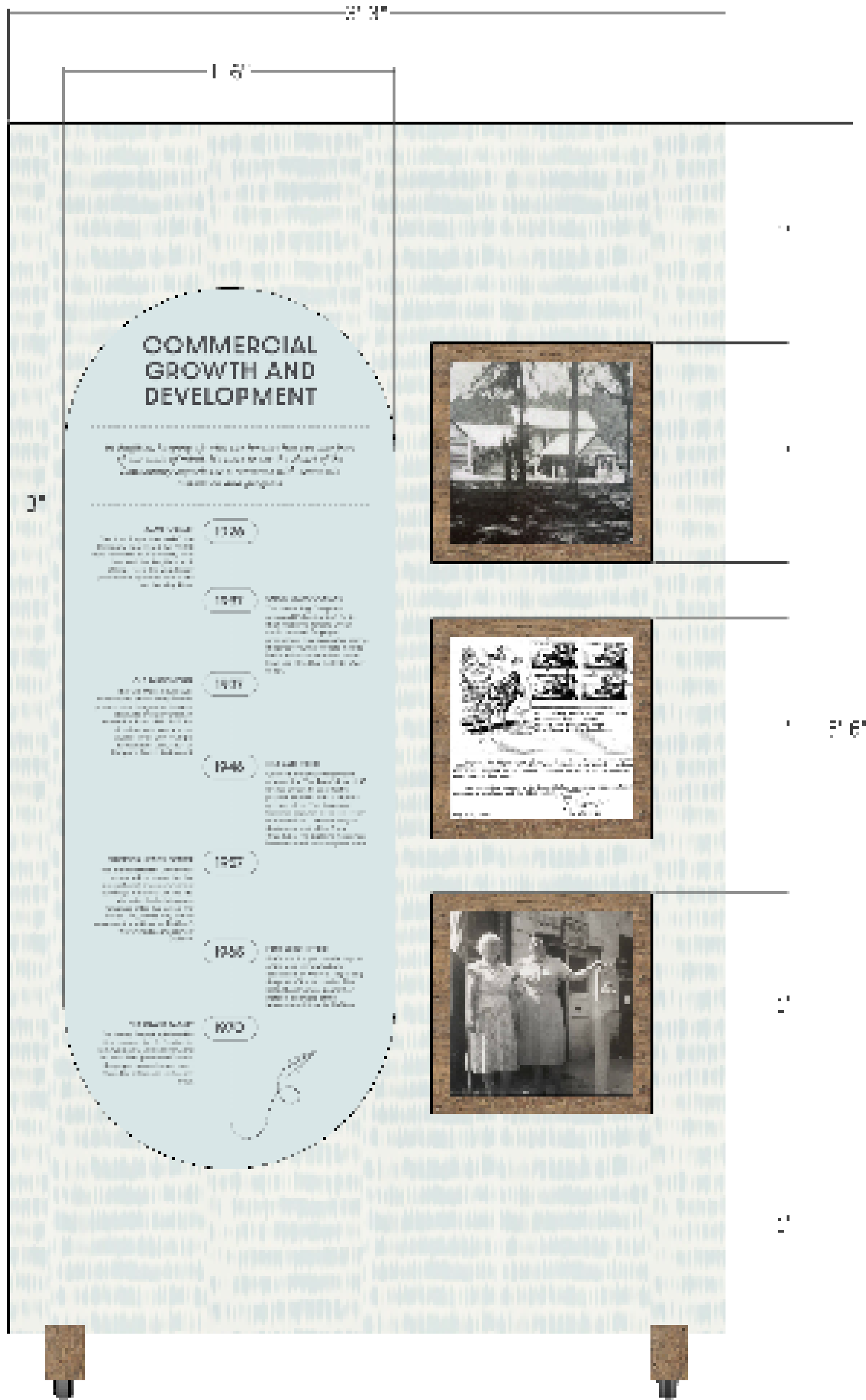


**TOWN**    
**OF BLUFFTON**  
WELCOME CENTER

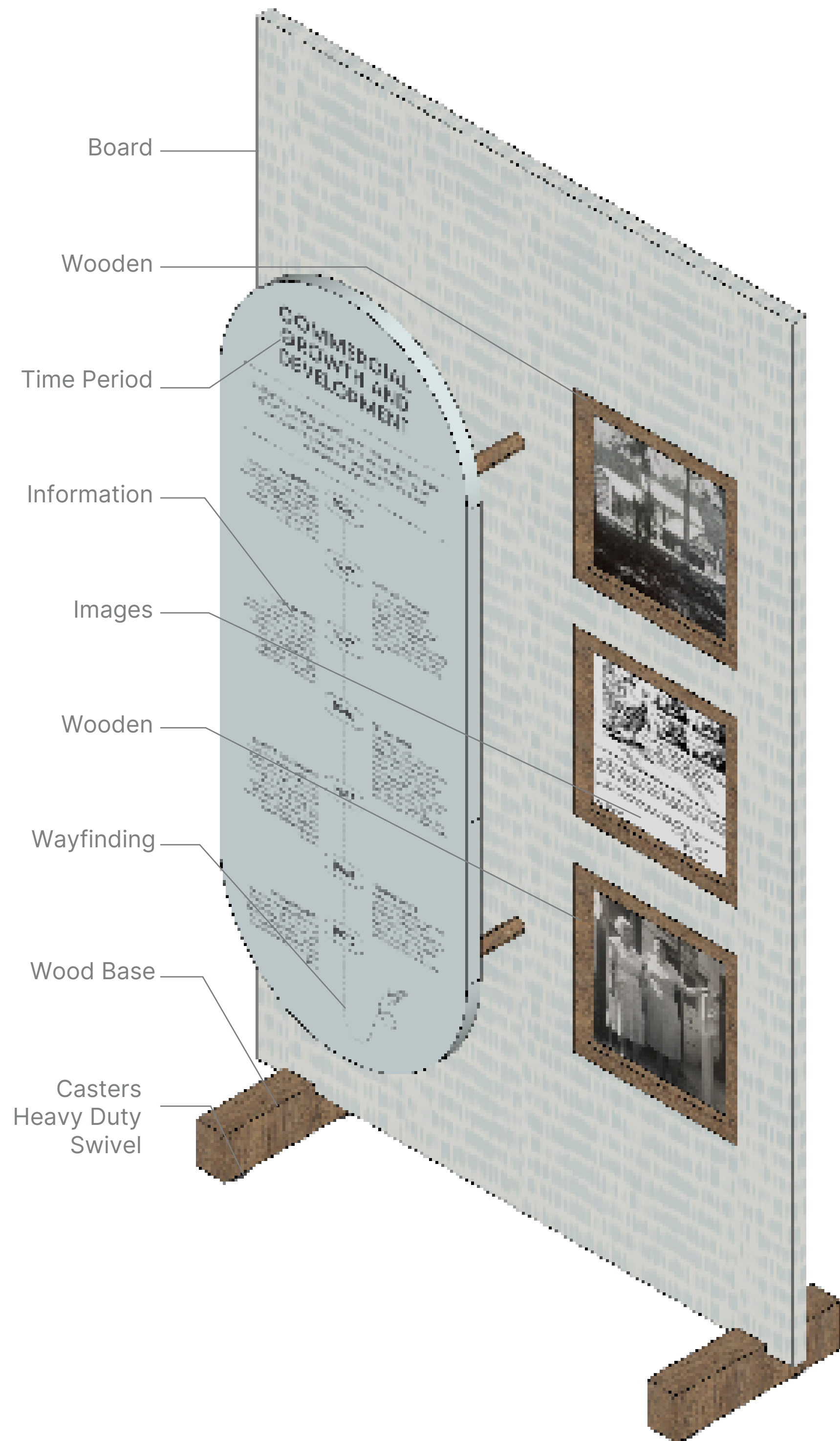
The following document contains all construction drawings for the proposed Town of Bluffton Welcome Center at the Squire Pope Carriage House. Drawing on inspiration from this project's theme and vision statement, Follow the Heart of Bluffton: A Love Letter, this document outlines the physical elements that visitors will engage with to experience the space. Each section details the rendered exhibit components with annotations that explain use, design, dimensions, and materiality. Because of the historic nature of the project site, all furniture, display boards, and artifact cases are modular and freestanding. This condition will support all currently ongoing and future planned preservation efforts to avoid any potential loss of material culture. From initial planning to final execution, the design ethos for this project has guided all processes and deliverables to fulfill the feeling of Bluffton's romance as the heart of the Lowcountry.

# DISPLAY BOARDS

## CONSTRUCTION DRAWINGS



FRONT VIEW BOARD 1

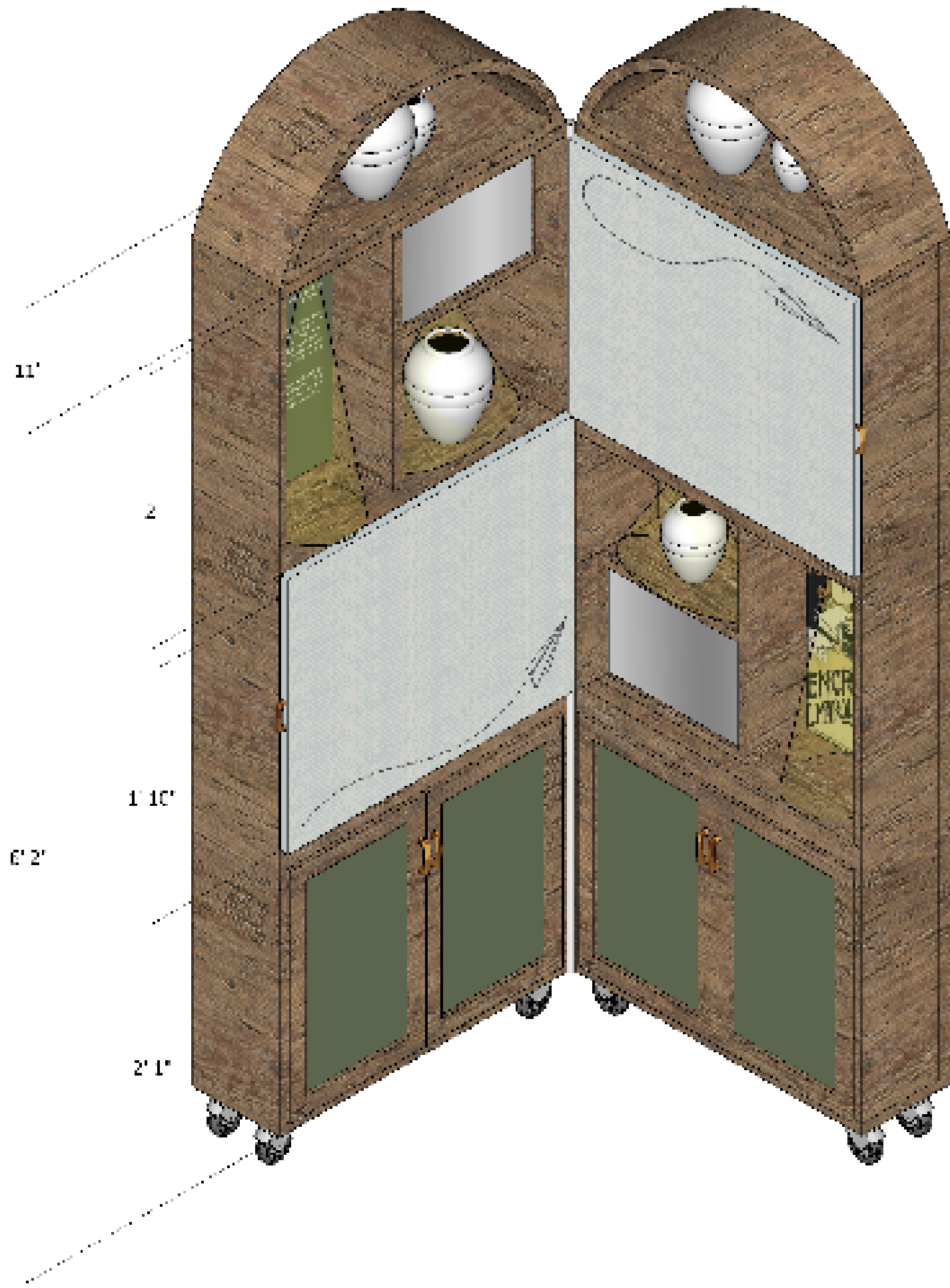


AXONOMETRIC VIEW BOARD 1

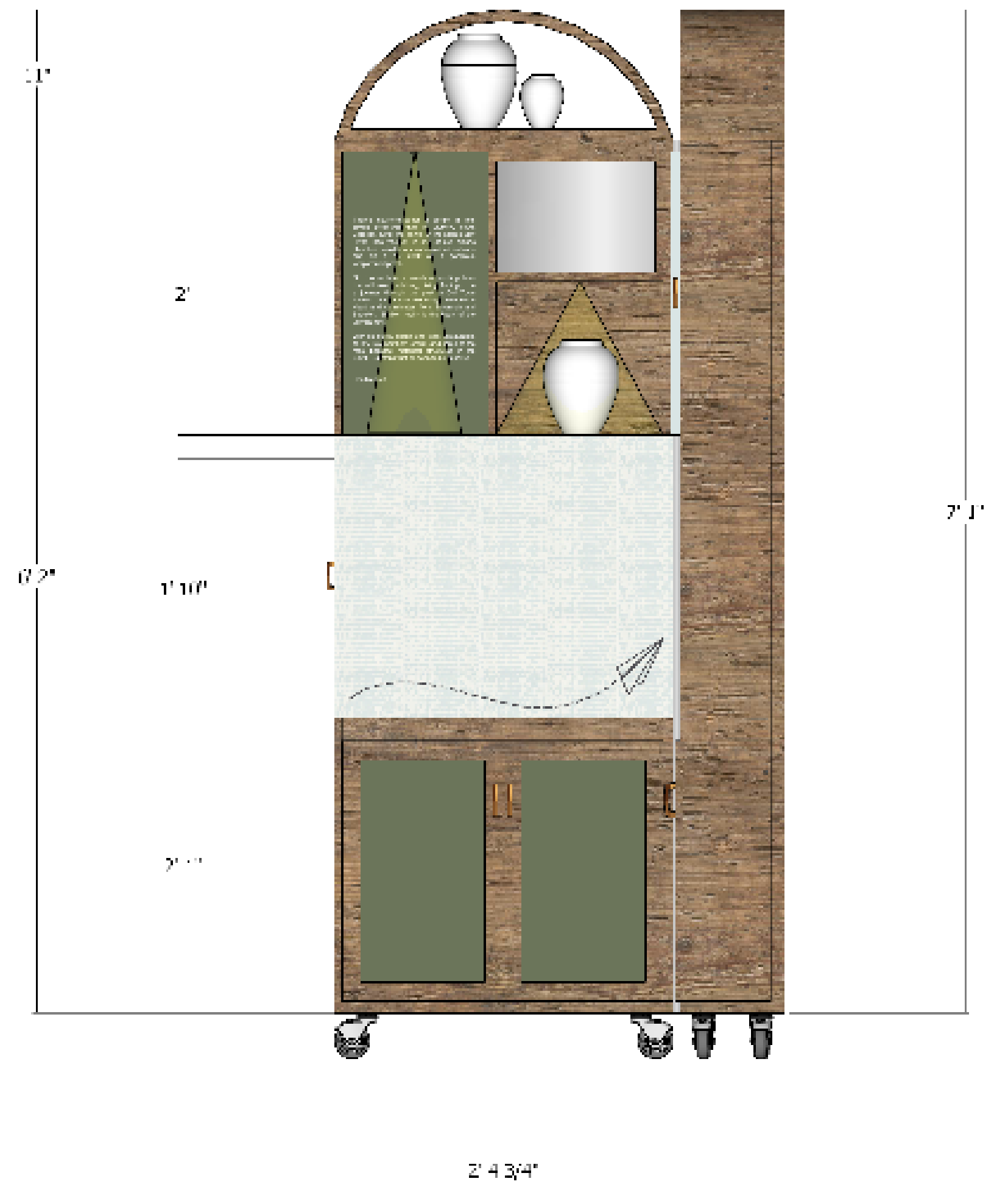
This corner display is a module display featuring information display boards, iPad displays, shelf space for artifacts with built-in lighting, and bottom storage space for cords. Both the iPads and lighting will be powered through cords coming in through holes in the back of the display.

# CORNER DISPLAY

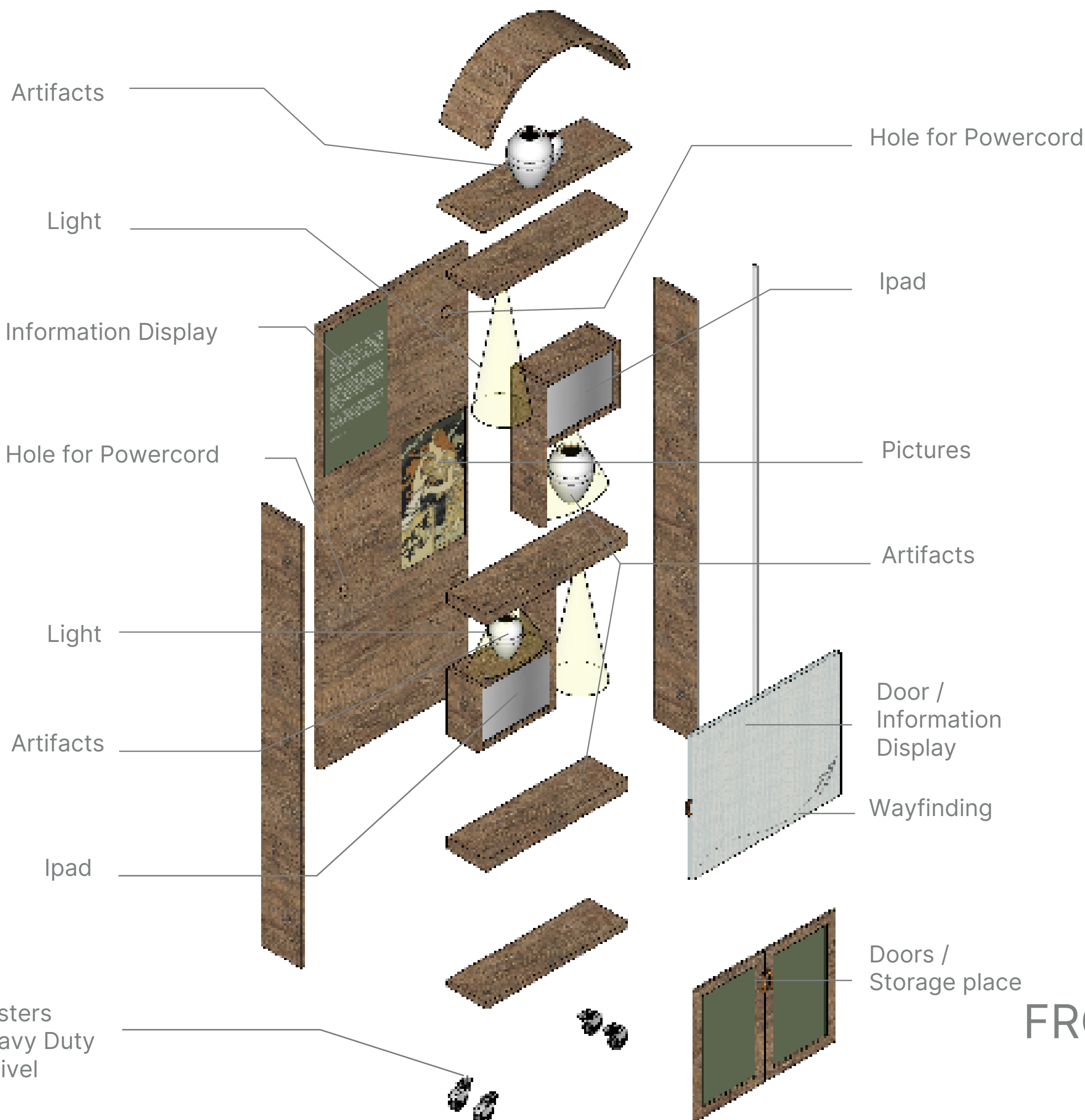
## CONSTRUCTION DRAWINGS



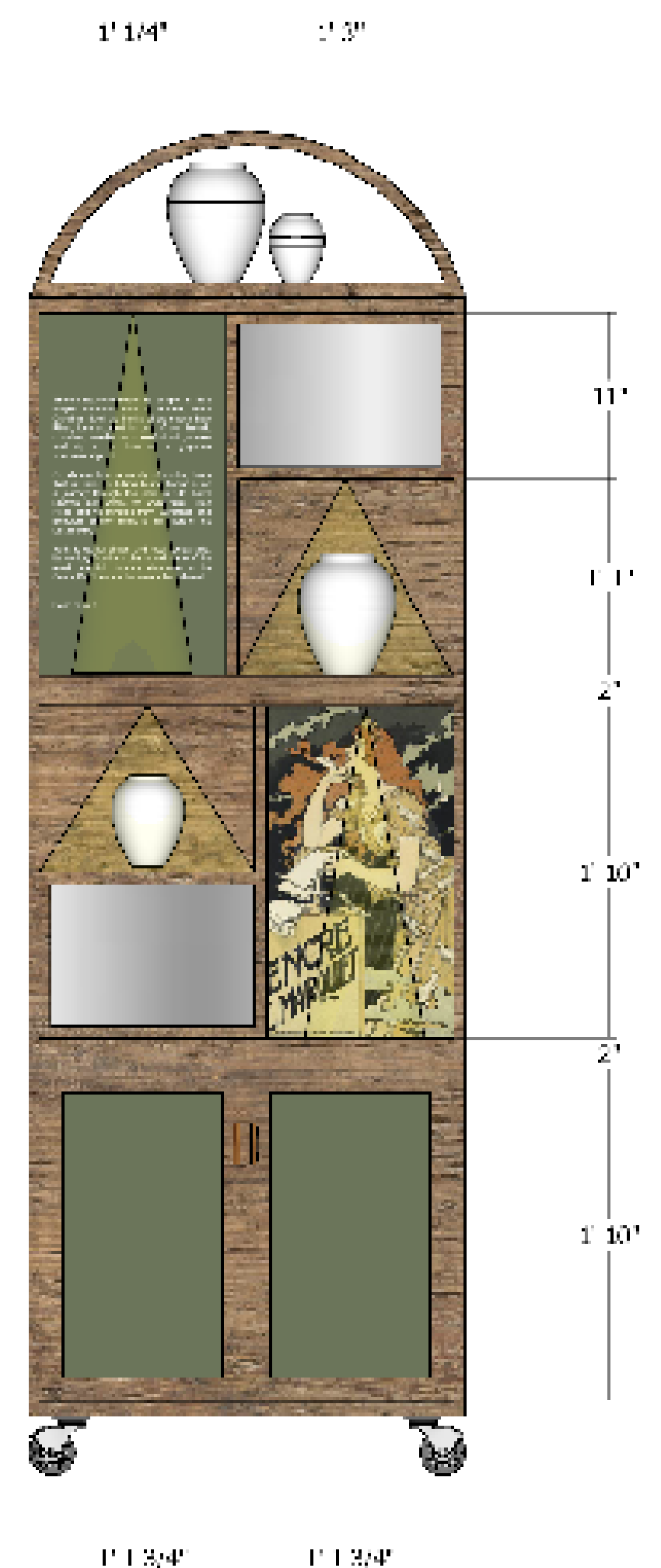
AXONOMETRIC



FRONT VIEW 1



EXPLODED AXONOMETRIC VIEW



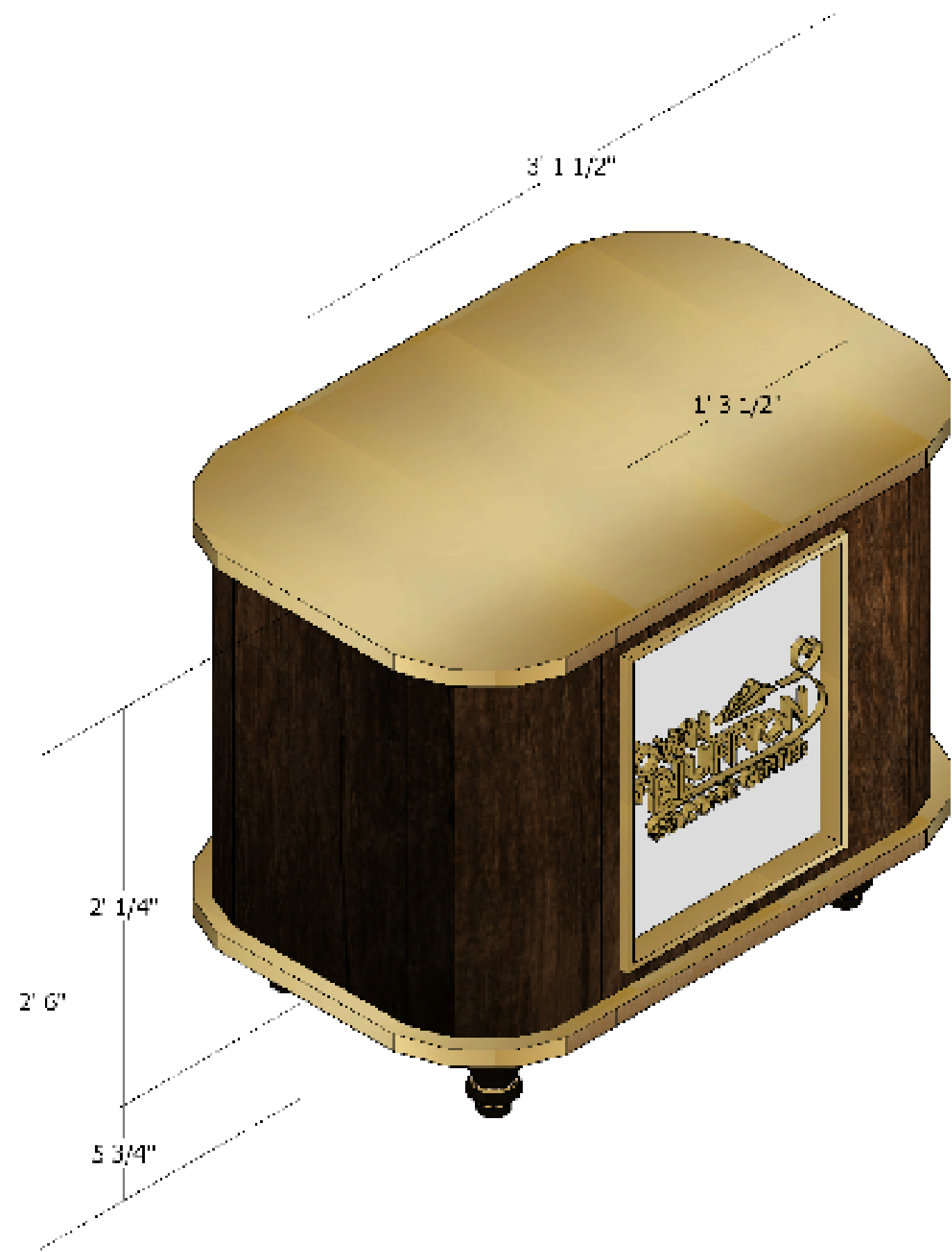
FRONT VIEW SINGLE ELEMENT

This corner display is a module display featuring information display boards, iPad displays, shelf space for artifacts with built-in lighting, and bottom storage space for cords. Both the iPads and lighting will be powered through cords coming in through holes in the back of the display.

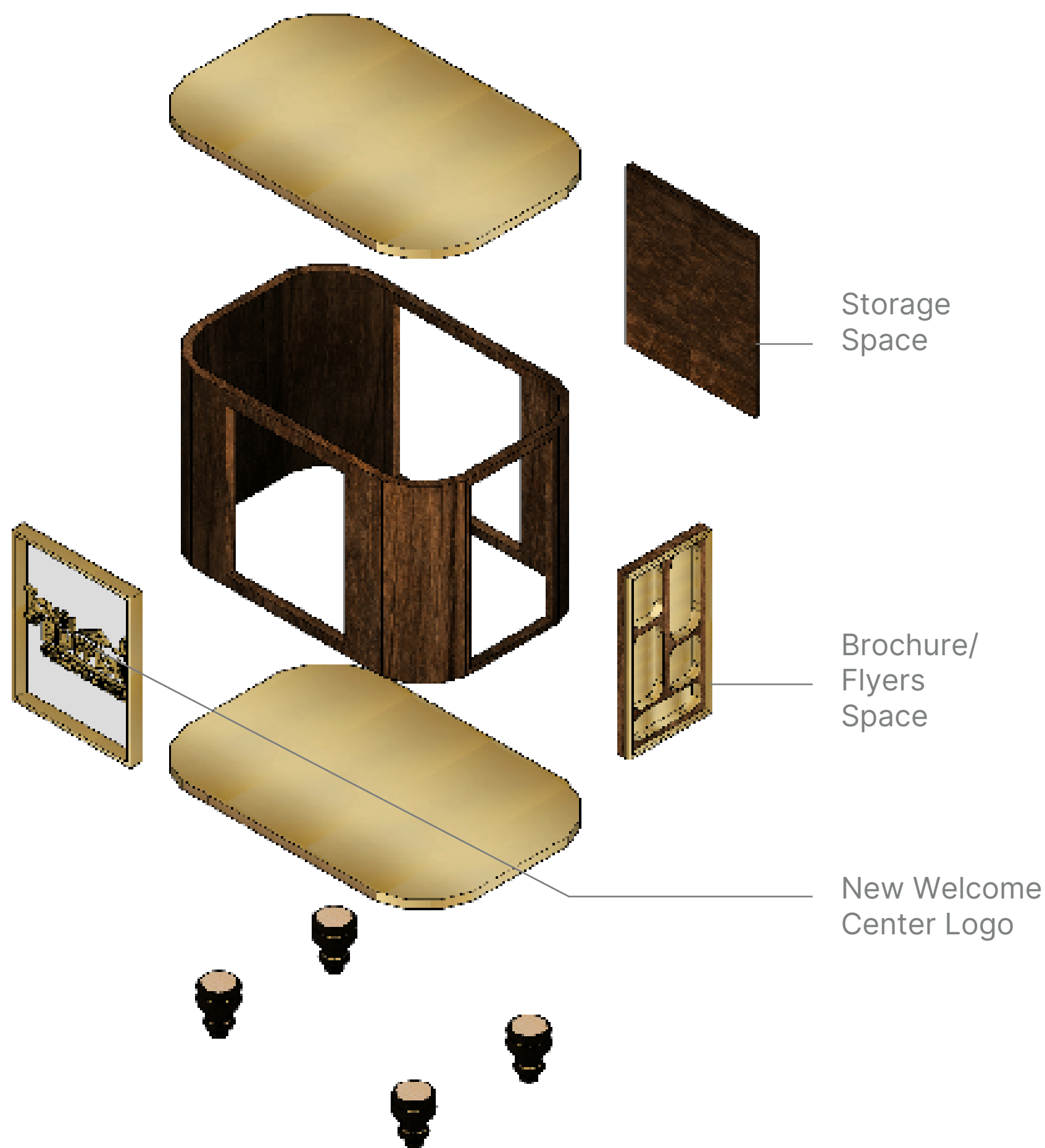


# FRONT DESK

## CONSTRUCTION DRAWINGS



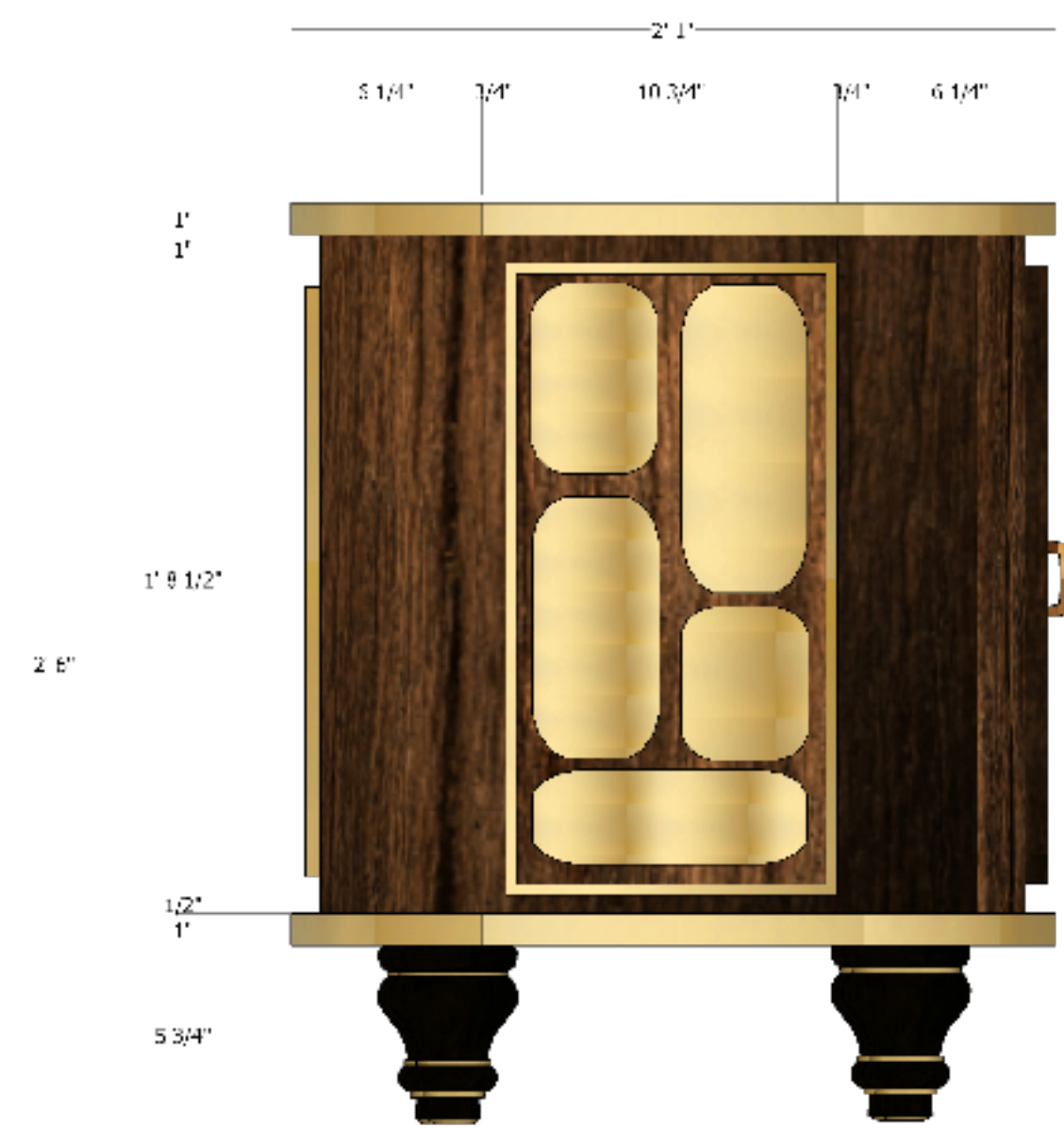
AXONOMETRIC



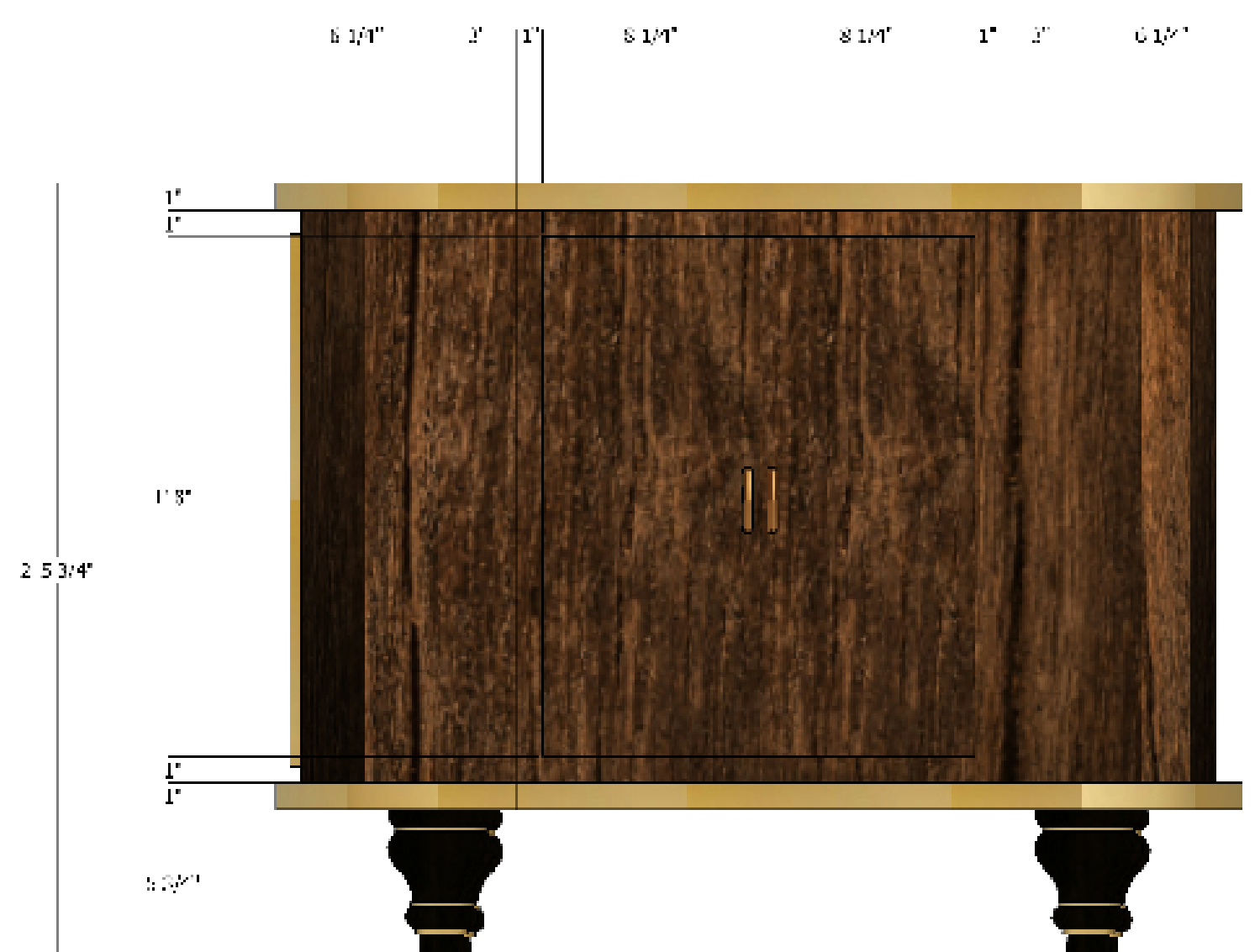
EXPLODED AXONOMETRIC VIEW



FRONT VIEW



SIDE VIEW



REAR VIEW

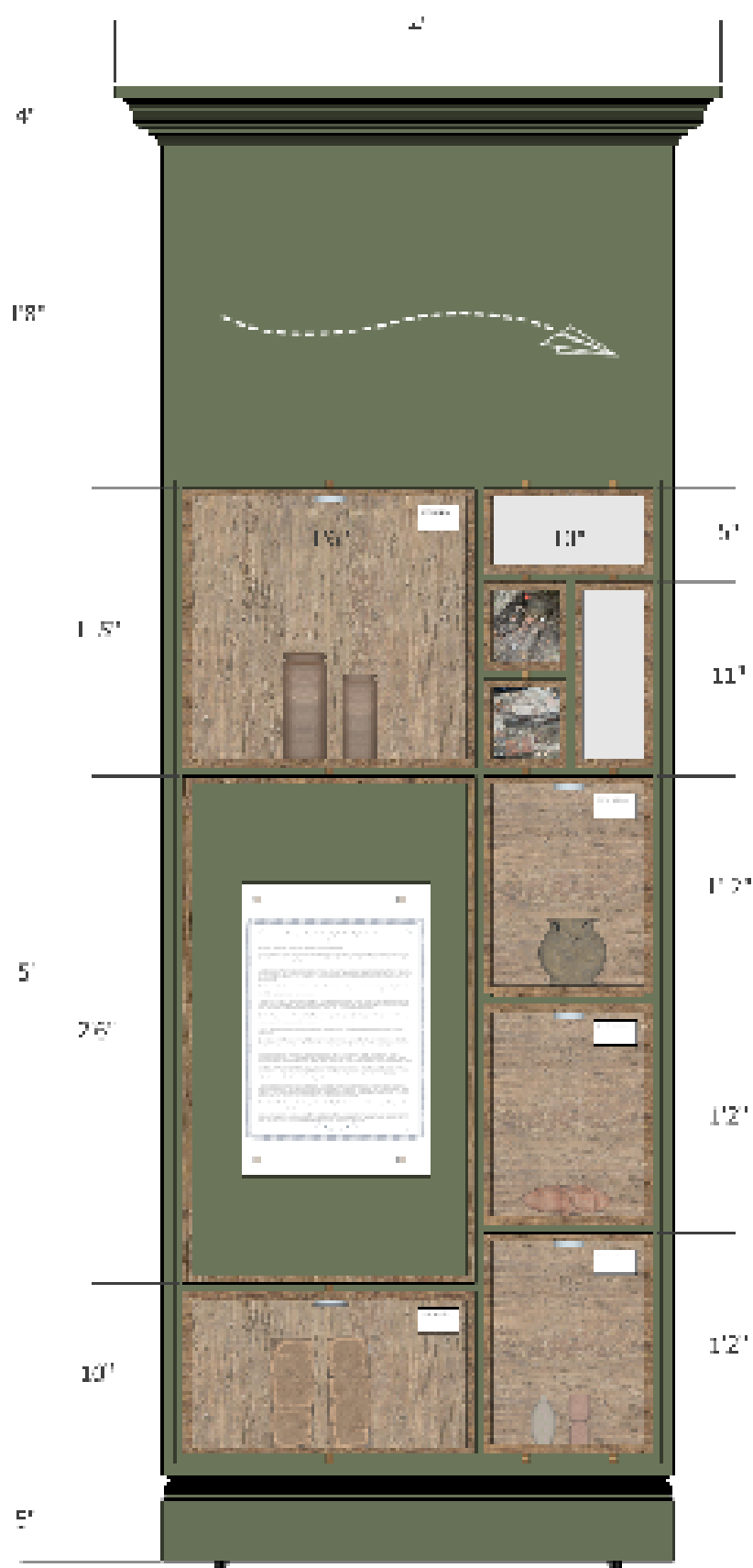
The front desk features the newly designed Welcome Center logo on the front, with back-facing cabinet storage space, and side spaces for brochures and/or flyers.

# ARTIFACTS DISPLAY

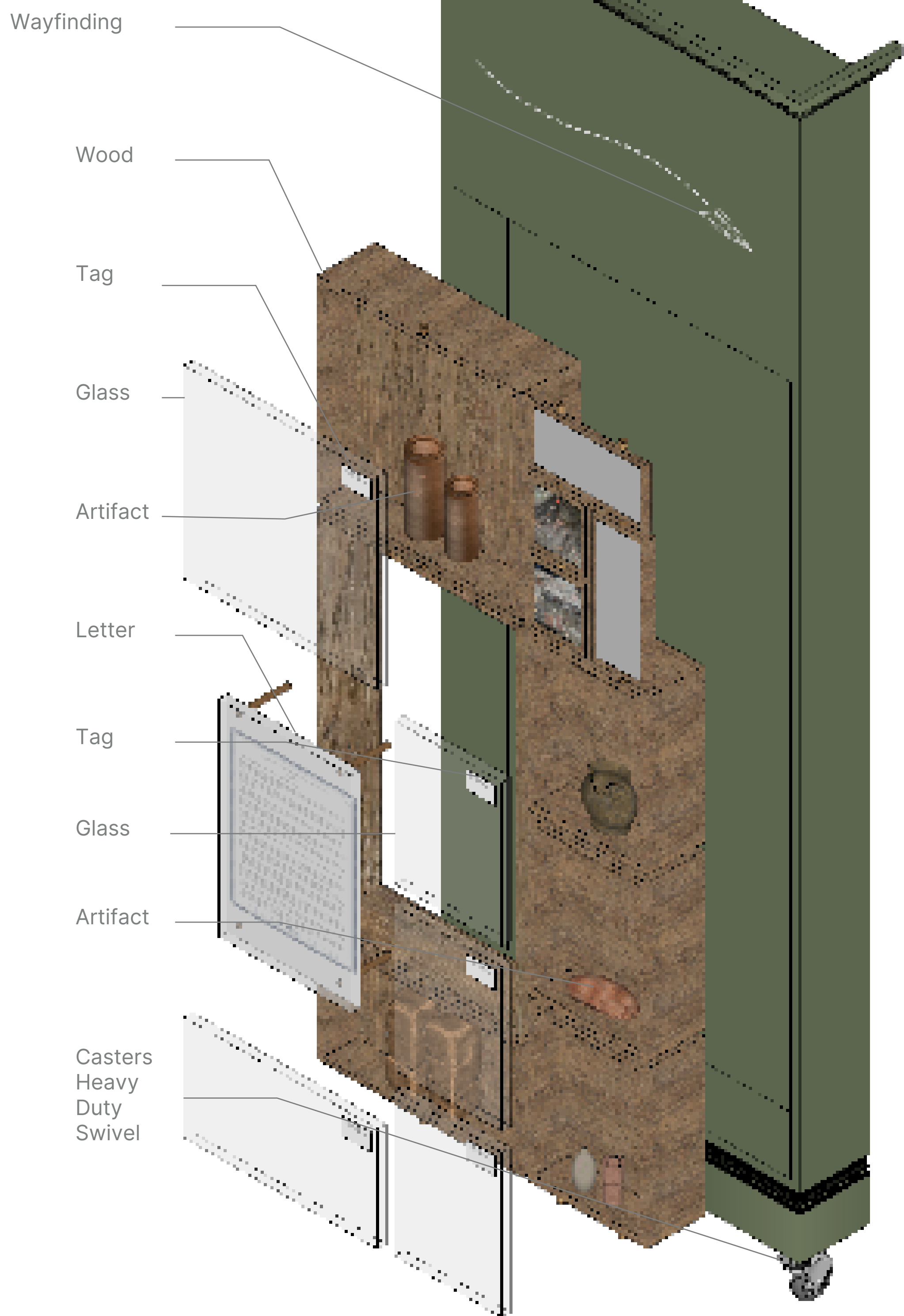
## CONSTRUCTION DRAWINGS



AXONOMETRIC



FRONT VIEW

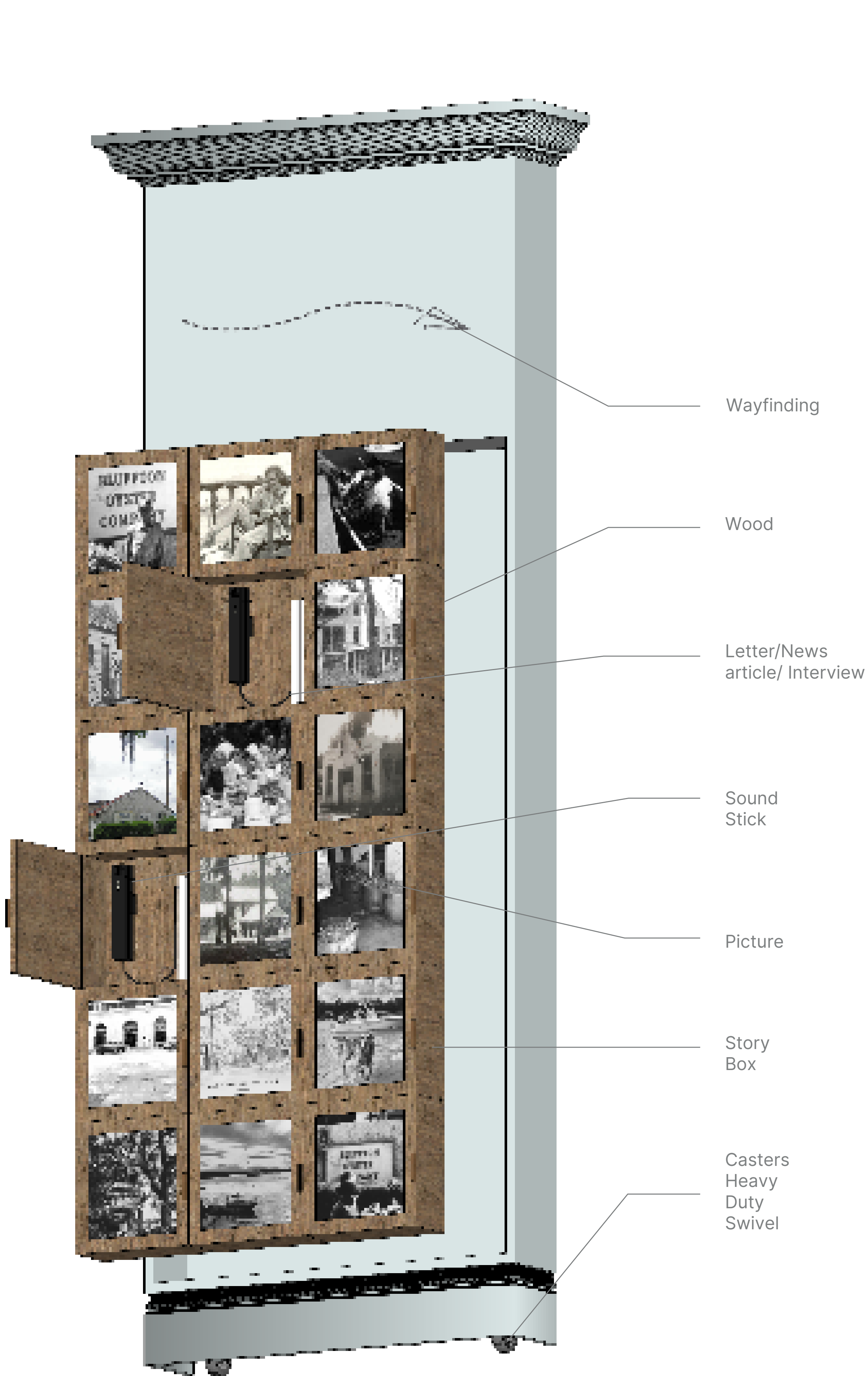


EXPLODED AXONOMETRIC VIEW

This module artifact display is a wooden display featuring glass-enclosed shelf space for artifacts and highlights the Wright Family letter.

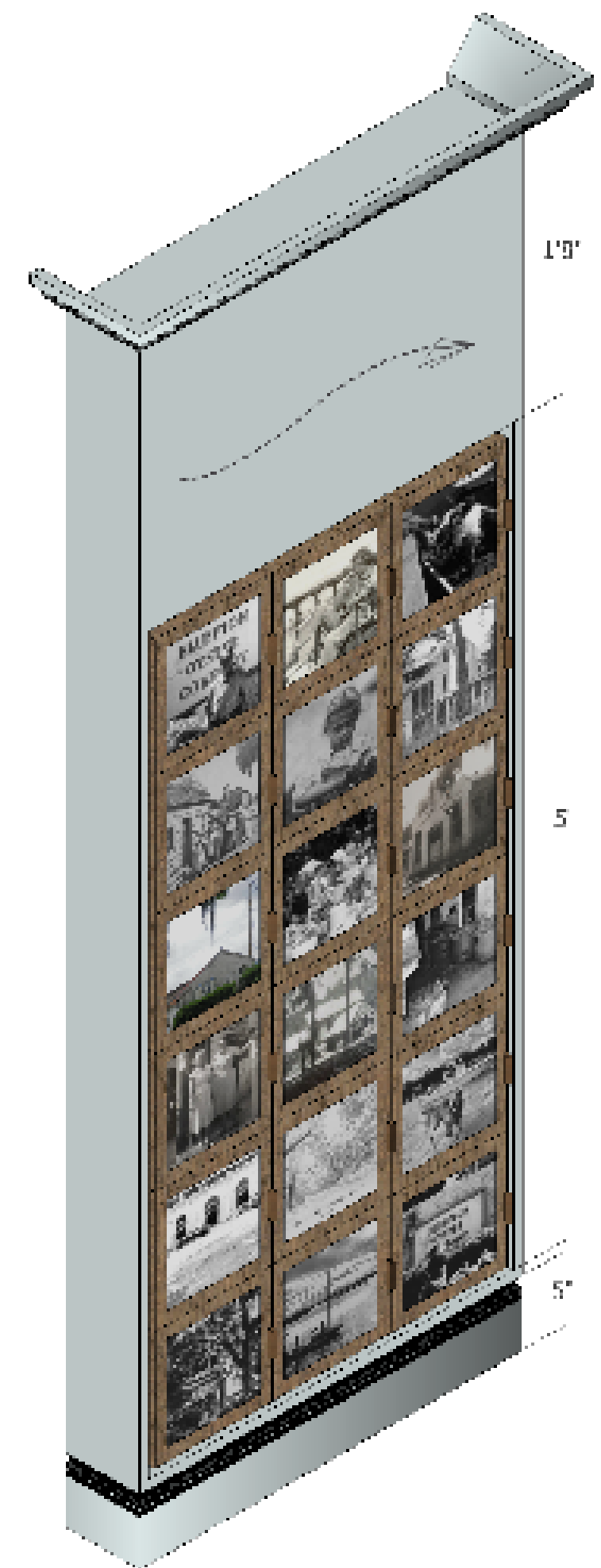
# STORIES DISPLAY

## CONSTRUCTION DRAWINGS

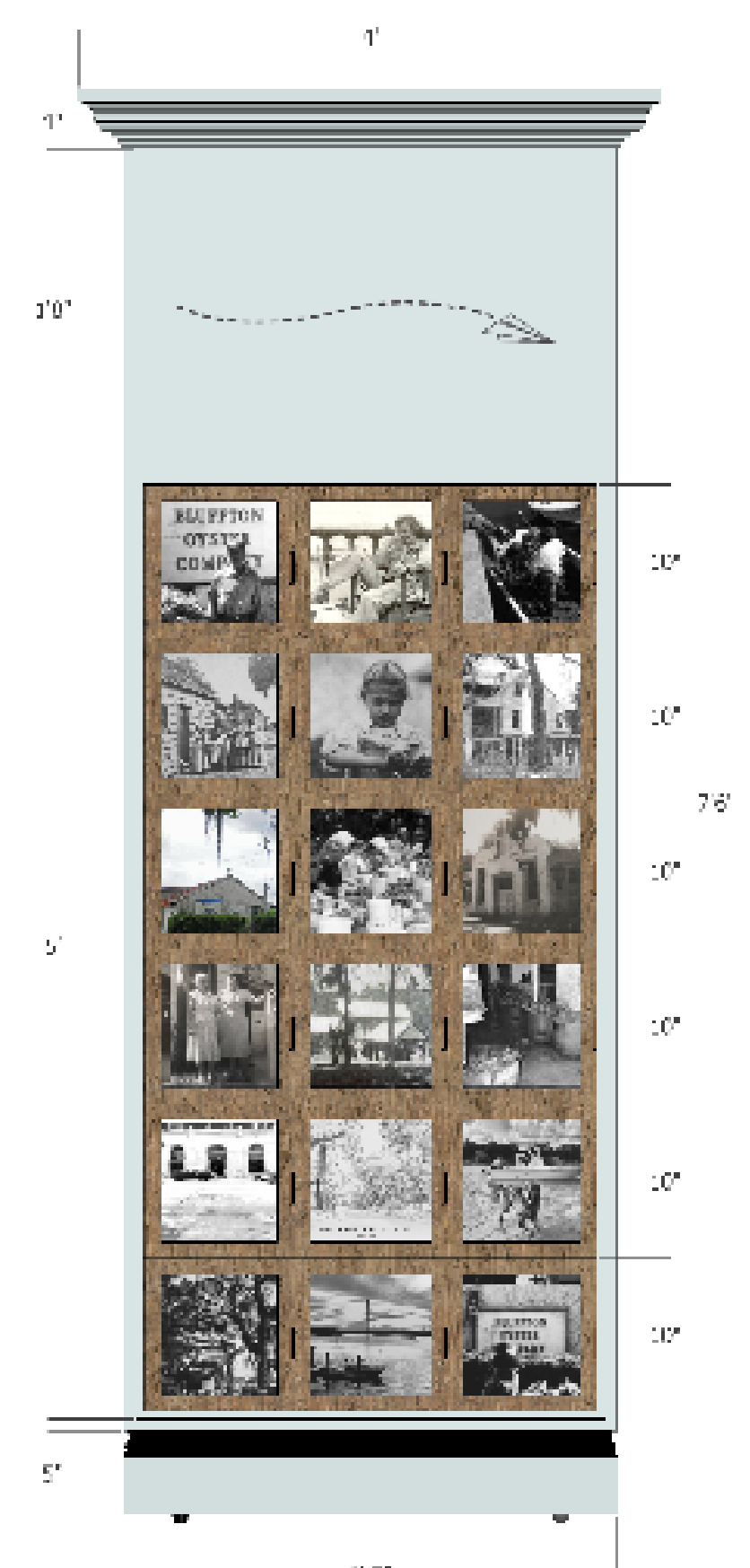


EXPLODED AXONOMETRIC VIEW

The stories display is a module display featuring openable wooden cabinets. The outside of cabinets features historical photos, with corresponding historical information (letter/news article/interview) within. The display also showcases sound sticks, enabling visitors to listen to oral histories and interviews.



AXONOMETRIC

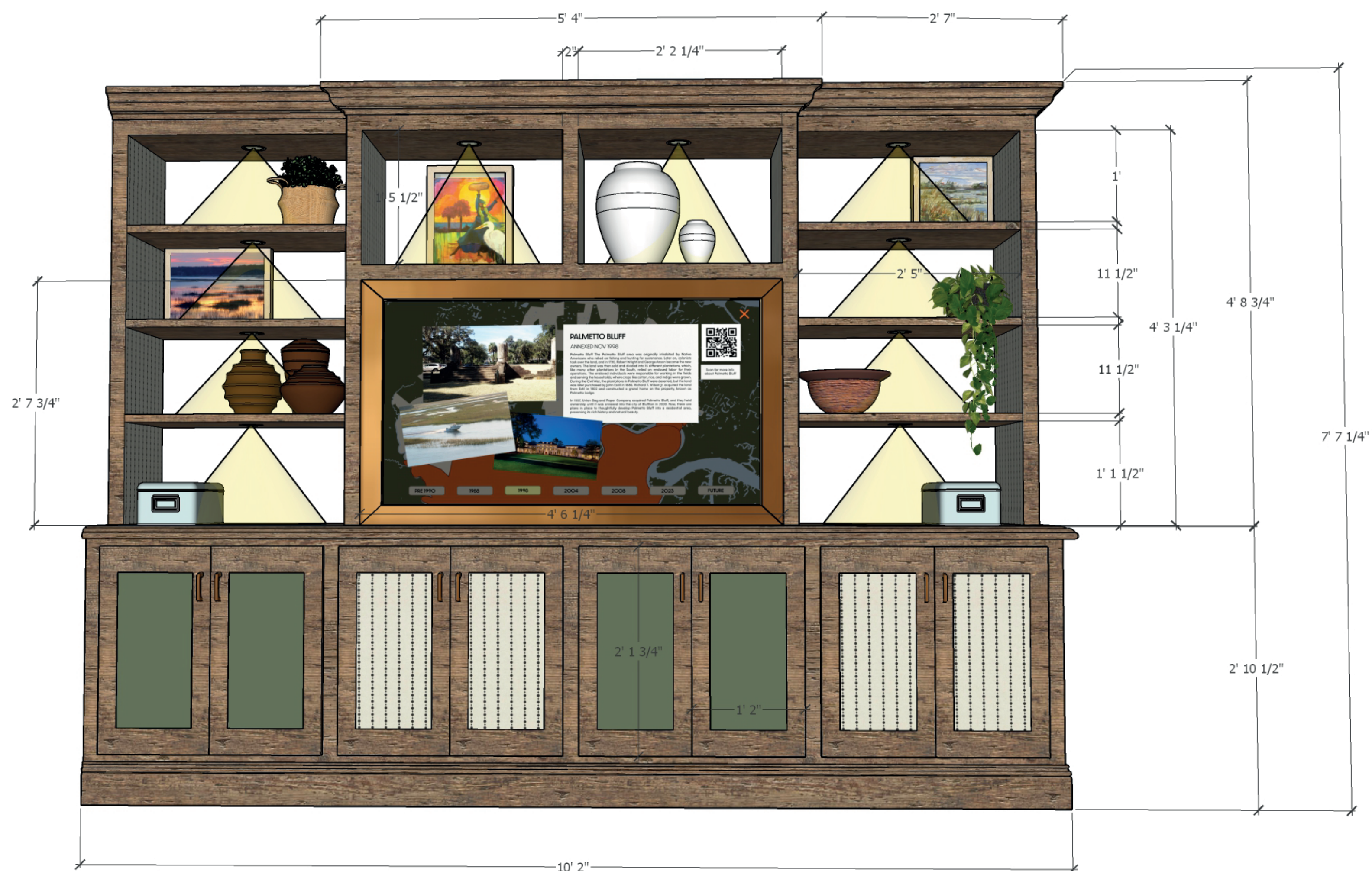


FRONT VIEW

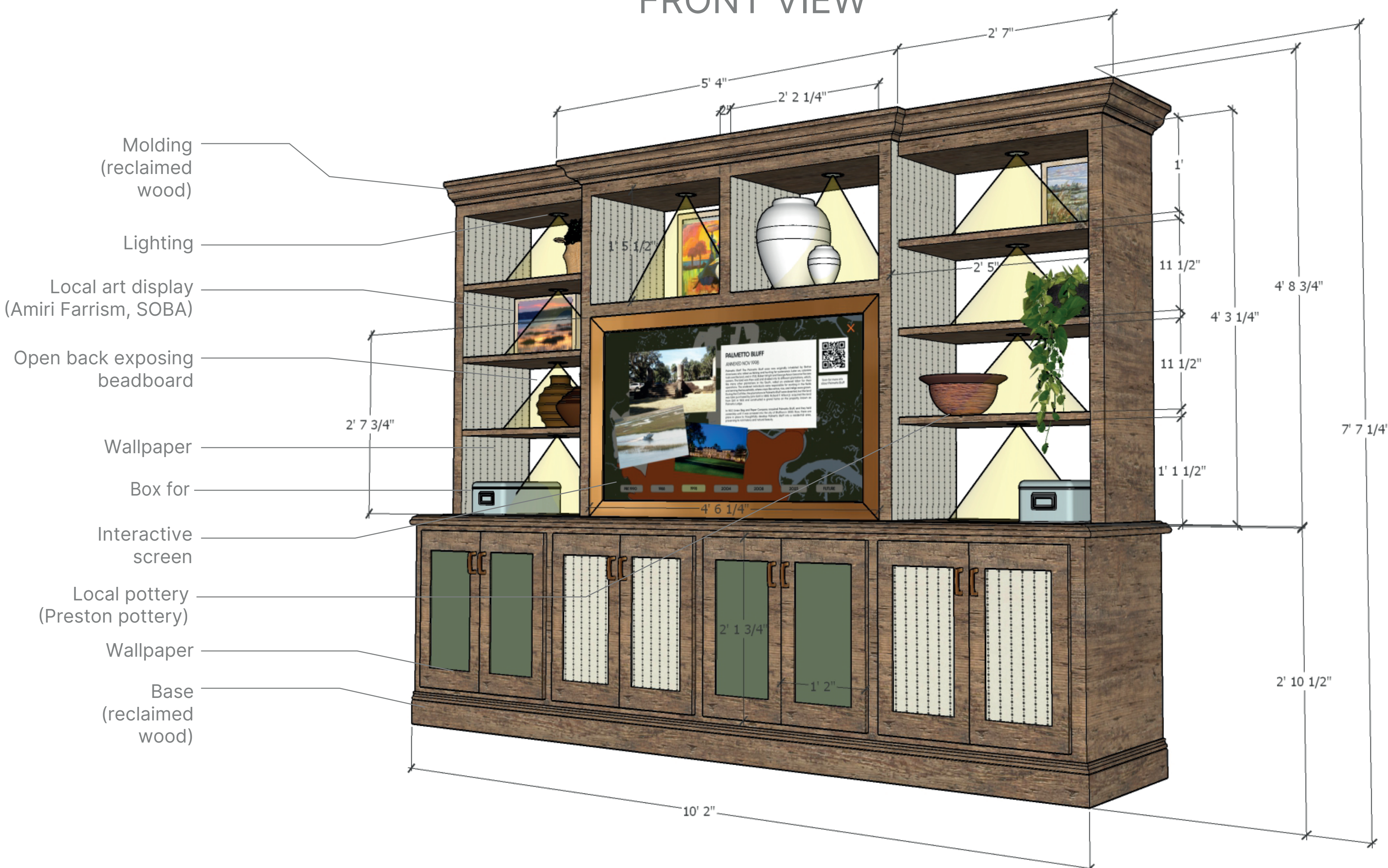


# BOOKSHELF

## CONSTRUCTION DRAWINGS



FRONT VIEW



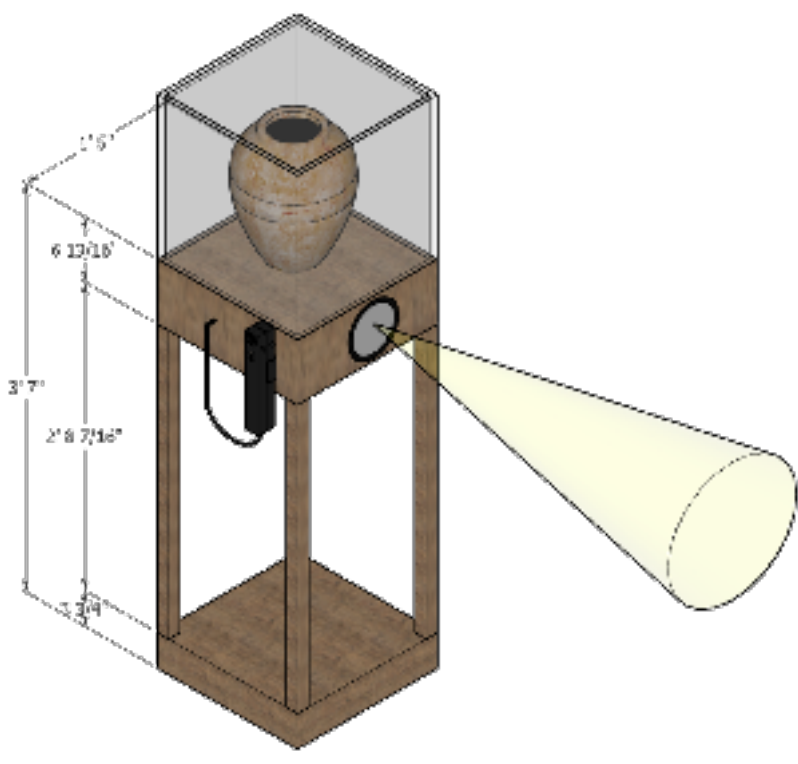
AXONOMETRIC

The bookshelf is a centerpiece made from reclaimed wood, and featuring an open back exposing beadboard. The bookshelf also features display space for local art and a box for "love letters" from visitors, with built-in lighting, and a large, interactive screen highlighting the Annexation of Bluffton.

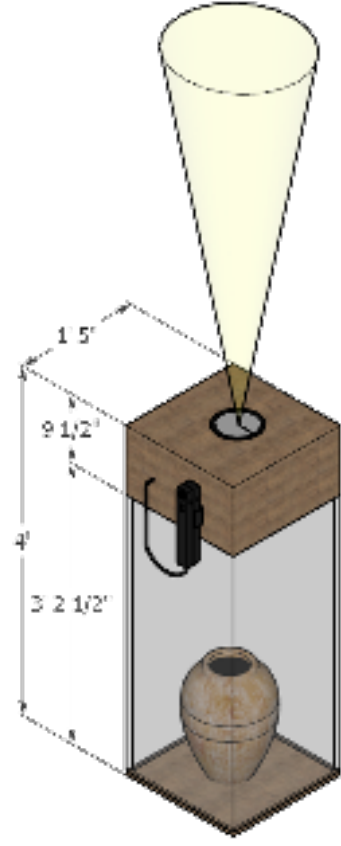


# DISPLAY TABLE

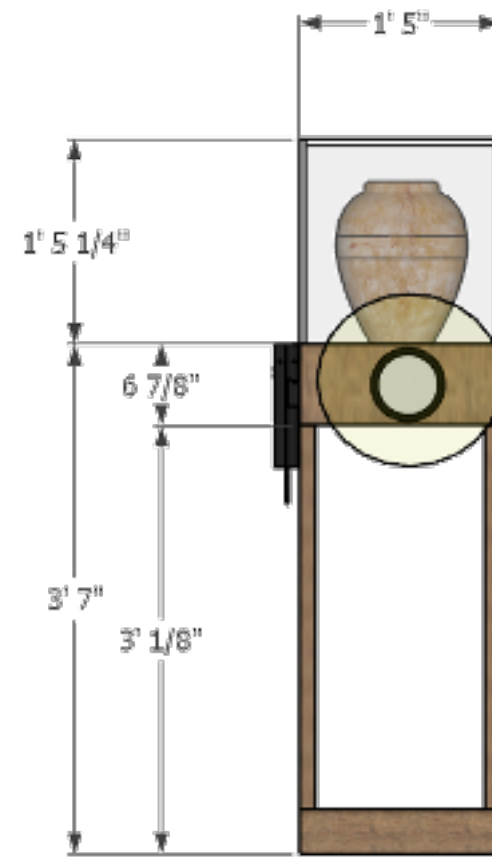
## CONSTRUCTION DRAWINGS



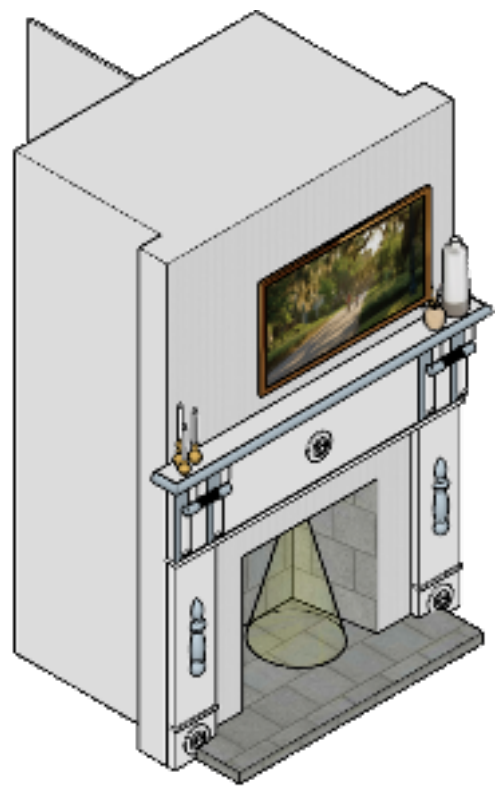
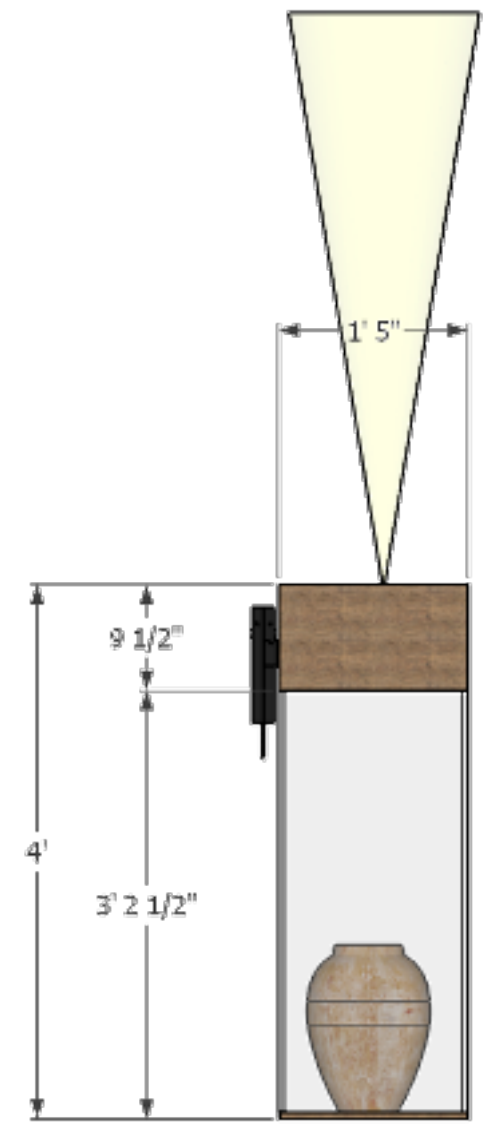
1. Wall



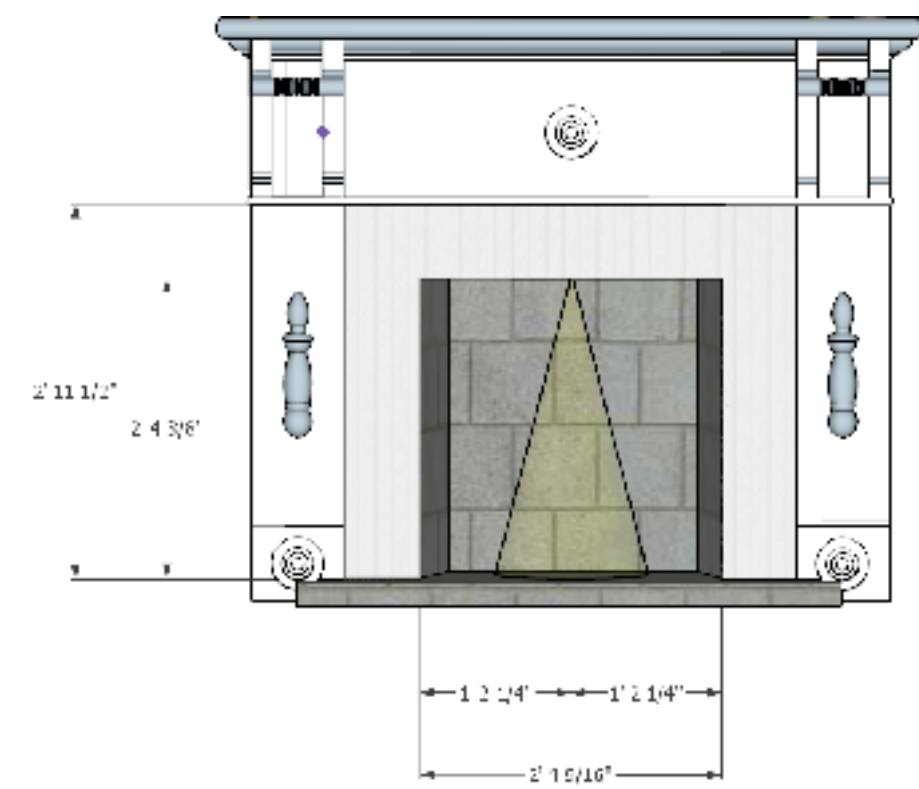
1. Wall



2. Ceiling



3. Fireplace



3. Fireplace

2. Ceiling

Artifact

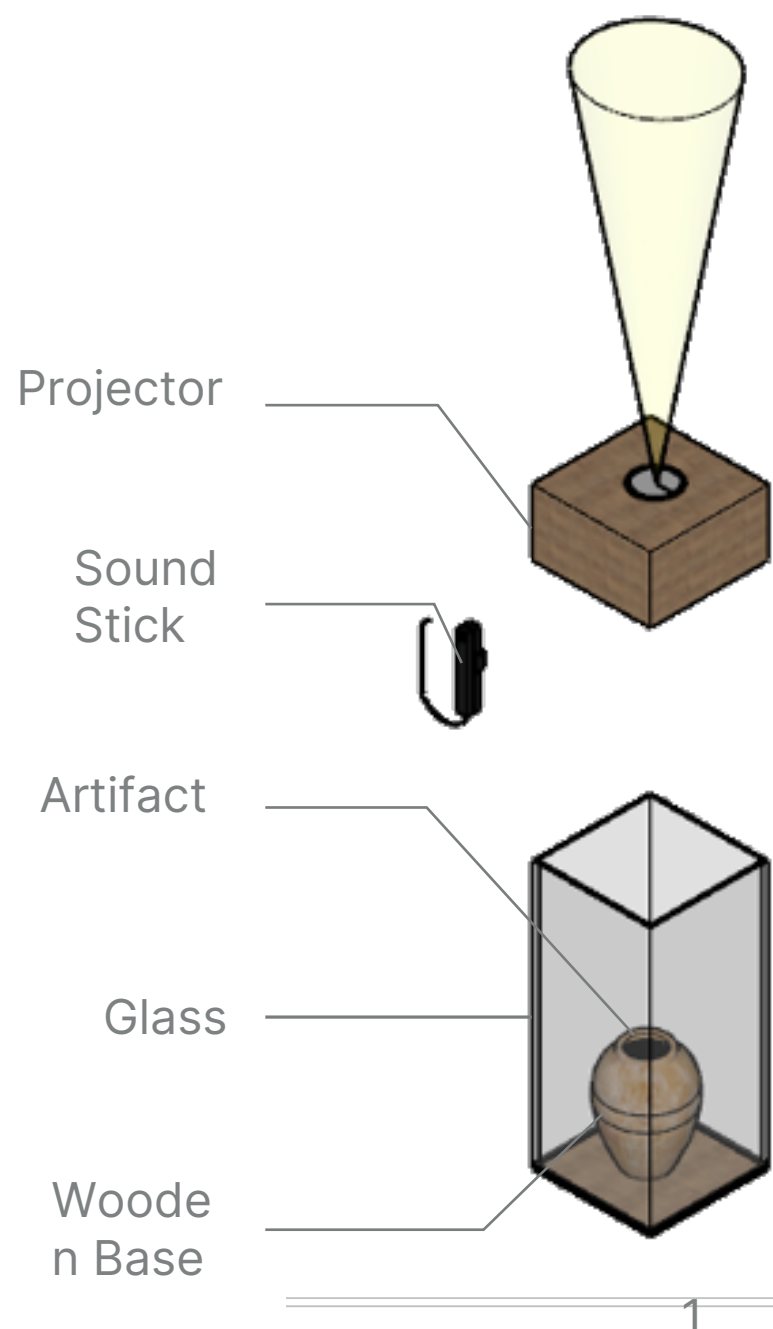
Sound Stick

Projector

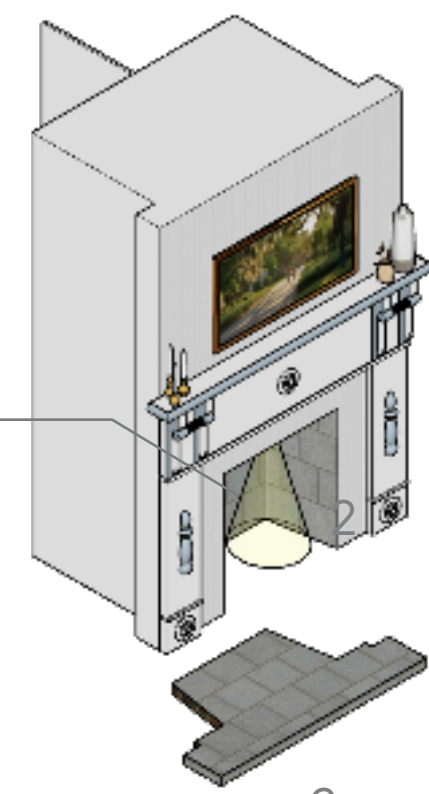
Wooden

Wooden

## AXONOMETRIC

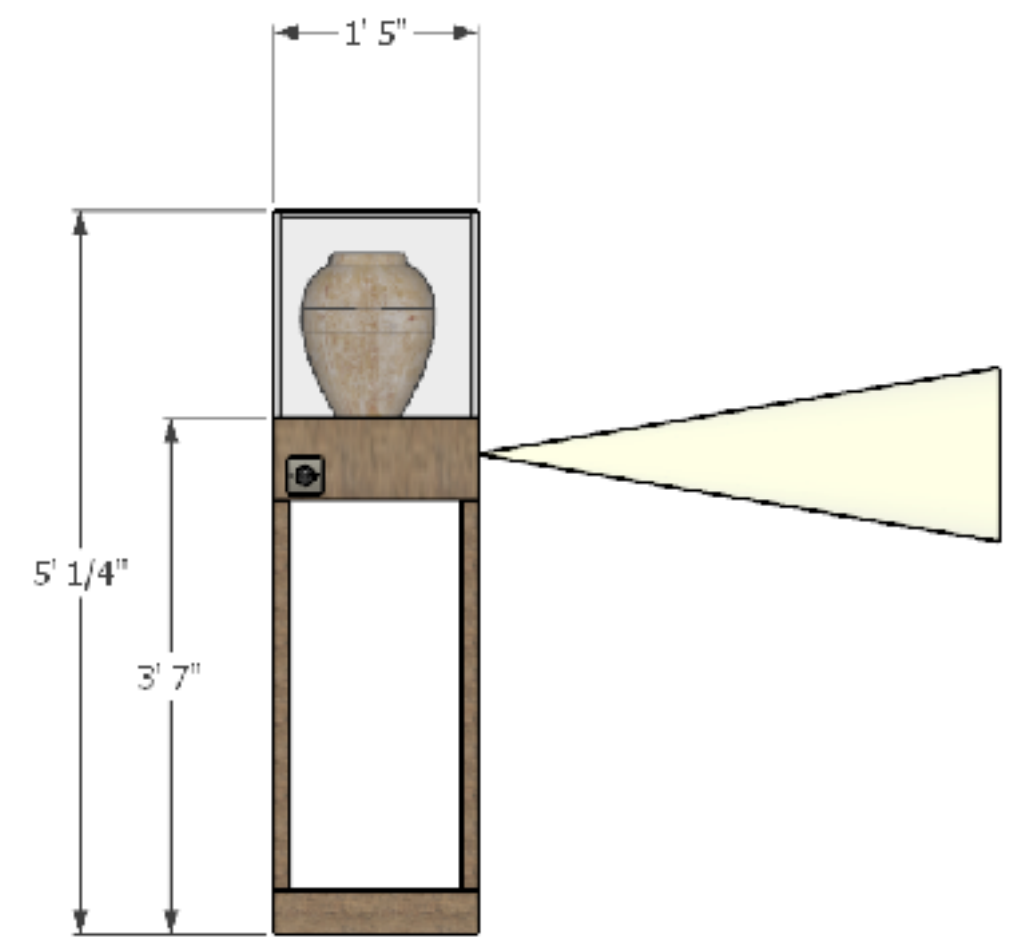


Projector

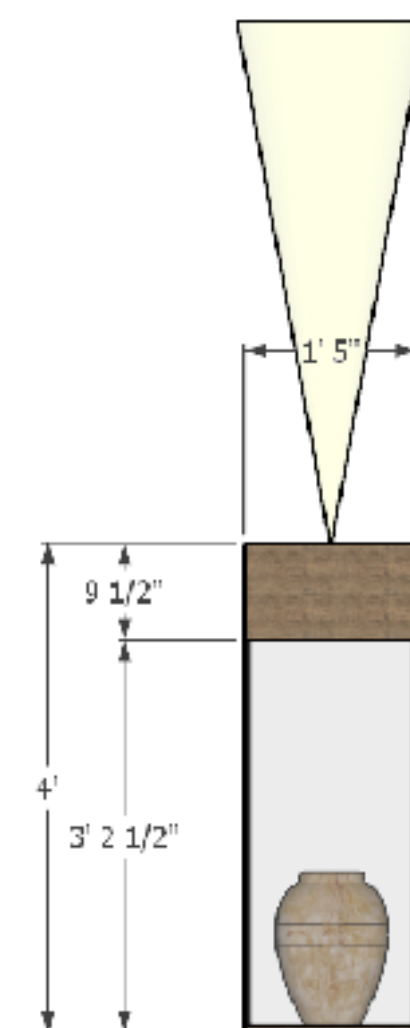


3

## FRONT VIEW



1



2

## EXPLODED AXONOMETRIC VIEW

The display table features a glass-enclosed artifact display on a wooden base, with an attached projector and sound stick to show images and/or videos.

## LEFT VIEW

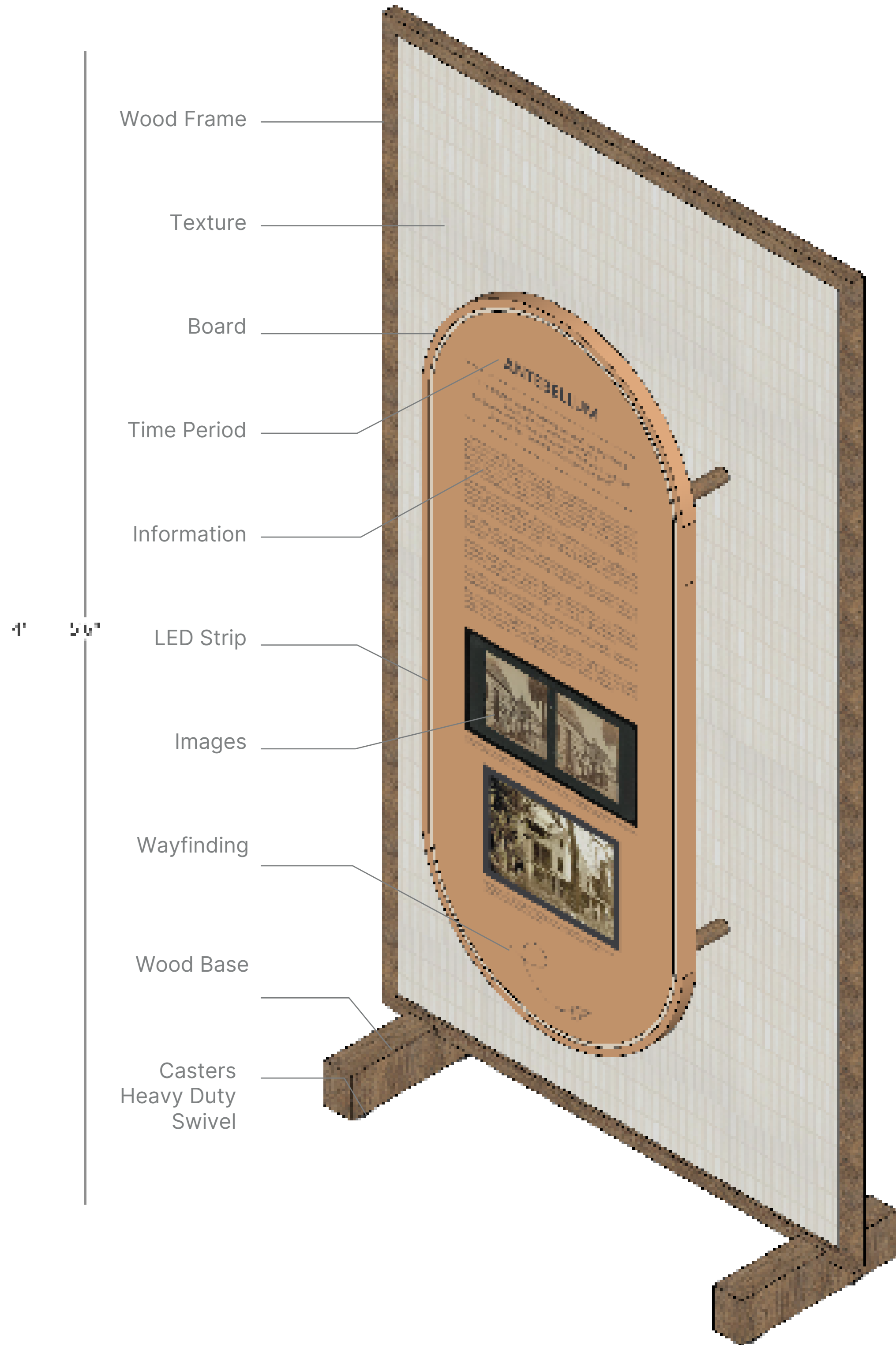


# DISPLAY BOARDS

## CONSTRUCTION DRAWINGS



FRONT VIEW BOARD 1



AXONOMETRIC VIEW BOARD 1

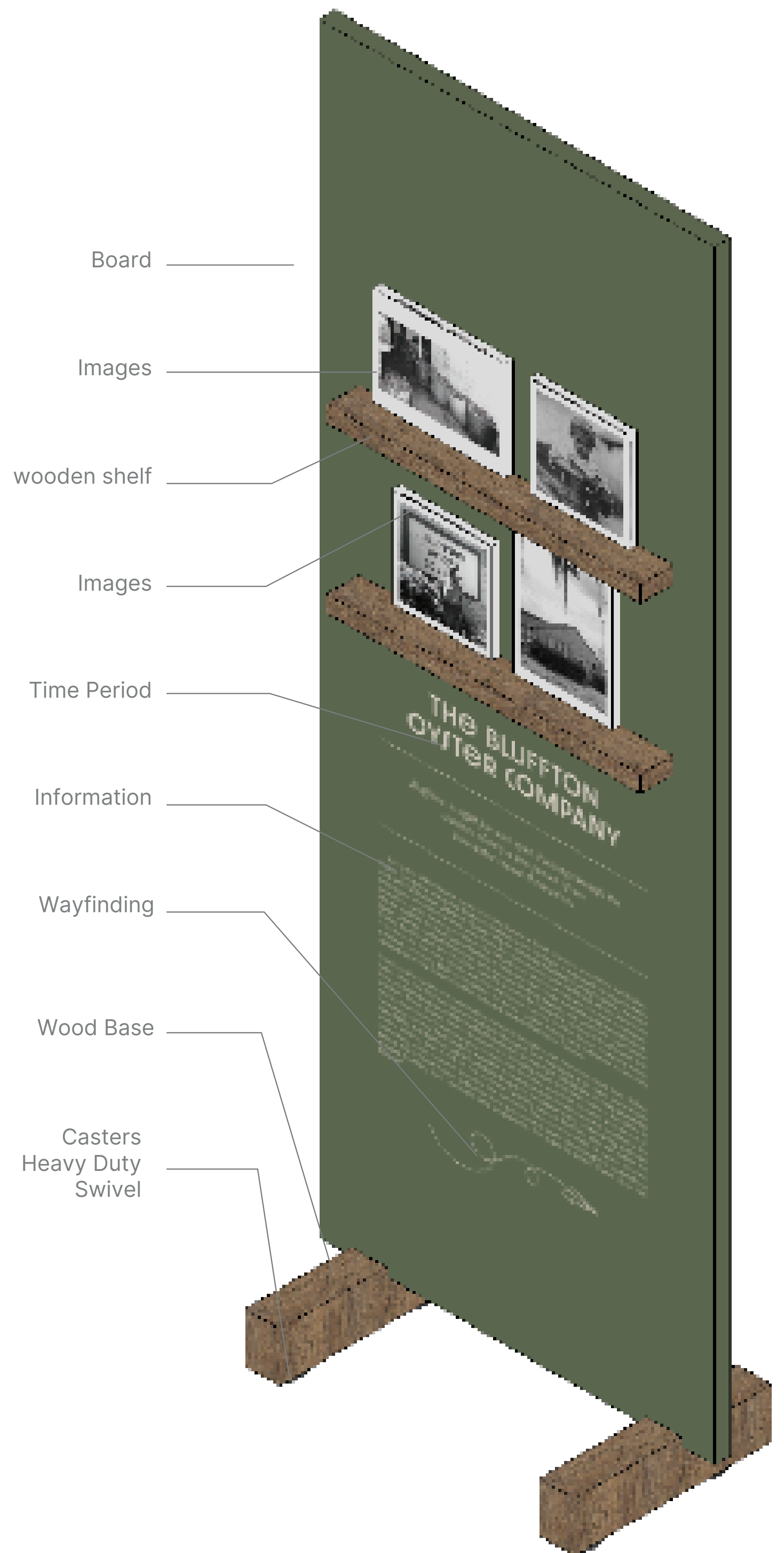
These module display boards feature information and images highlighting various periods in Bluffton around the Welcome Center. They are made from wood bases and framing, and a textured backboard.

# DISPLAY BOARDS

## CONSTRUCTION DRAWINGS



FRONT VIEW BOARD 2



AXONOMETRIC VIEW BOARD

These module display boards feature information and images highlighting various periods in Bluffton around the Welcome Center. They are made from wood bases and framing, and a textured backboard.

**THANK YOU**

